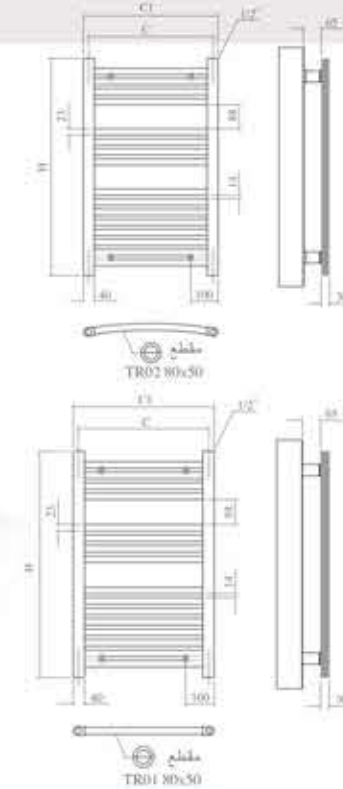
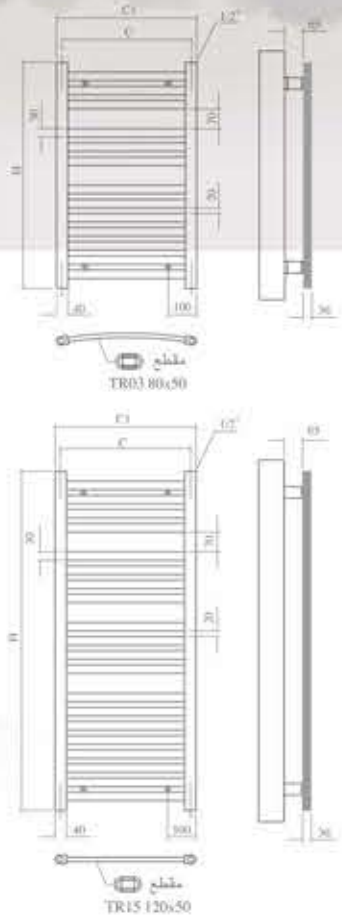
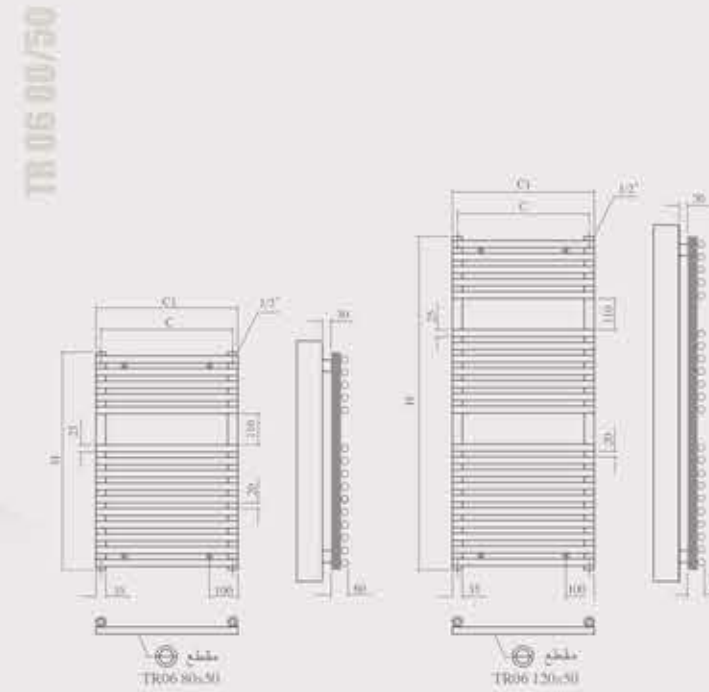


Heated Towel

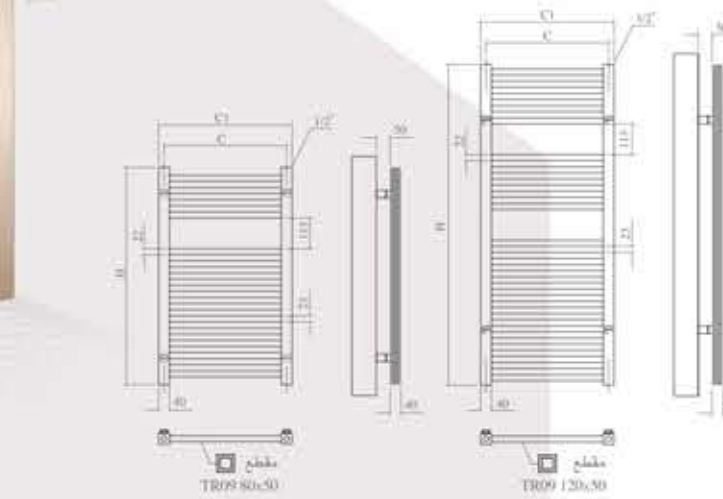


MODEL	Height H (mm)	Distance Between Bars C (mm)	Width C1 (mm)	Output (ΔT= 60°C) Watt	Kcal / h
TR03 80X50chrome	800	500	540	442	363
TR03 80X50white	800	500	540	442	363
TR03 120X50white	1200	500	540	674	581
TR15 80X50chrome	800	500	540	442	363
TR15 80X50white	800	500	540	442	363
TR15 120X50white	1200	500	540	674	581
TR15 120X50white	1200	500	540	674	581

MODEL	Height H (mm)	Distance Between Bars C (mm)	Width C1 (mm)	Output (ΔT= 60°C) Watt	Kcal / h
TR01 80X50chrome	800	500	540	488	420
TR01 80X50white	800	500	540	488	420
TR01 120X50white	1200	500	540	754	650
TR02 80X50chrome	800	500	540	488	420
TR02 80X50white	800	500	540	488	420
TR02 120X50white	1200	500	540	754	650



MODEL	Height H (mm)	Distance Between Bars C (mm)	Width C1 (mm)	Output (ΔT= 60°C) Watt	Kcal / h
TR06 80X50chrome	770	500	540	526	471
TR06 80X50white	770	500	540	526	471
TR06 120X50chrome	1180	500	540	780	672
TR06 120X50white	1180	500	540	780	672



MODEL	Height H (mm)	Distance Between Bars C (mm)	Width C1 (mm)	Output (ΔT= 60°C) Watt	Kcal / h
TR09 80X50chrome	800	500	540	553	476
TR09 80X50white	800	500	540	553	476
TR09 120X50chrome	1180	500	540	810	698
TR09 120X50white	1180	500	540	810	698

ایران رادیاتور
به مواد لگرم باشید